



**ARISTON**

# SPARE PARTS EXPLODED VIEW STORAGE GAS WATER HEATERS

Model

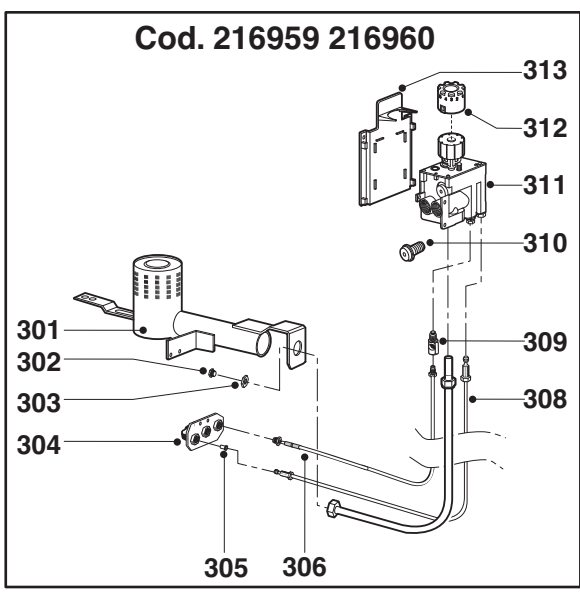
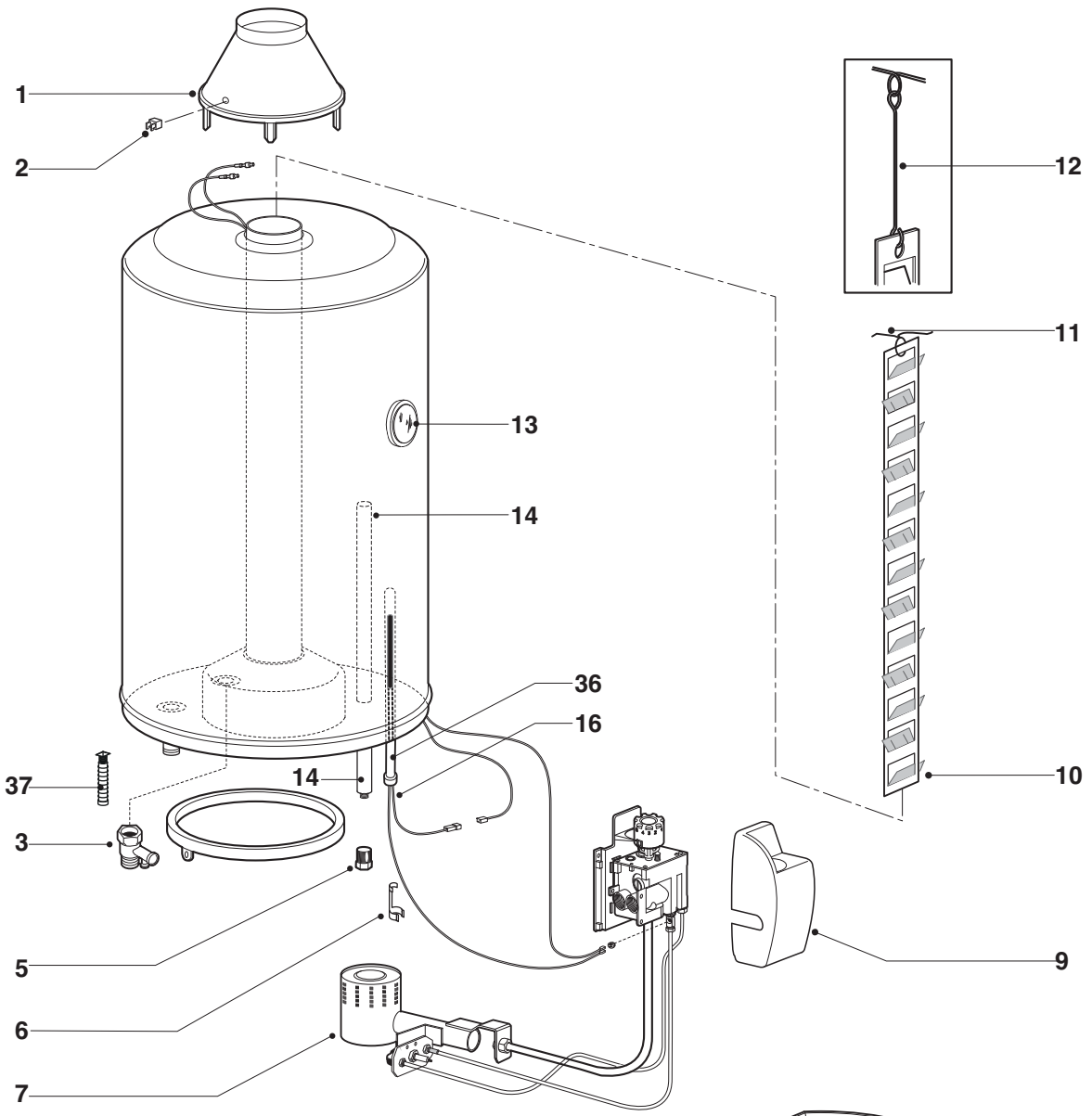
## **SGA EURO V-2**

R8217075-02 - 22/05/2018

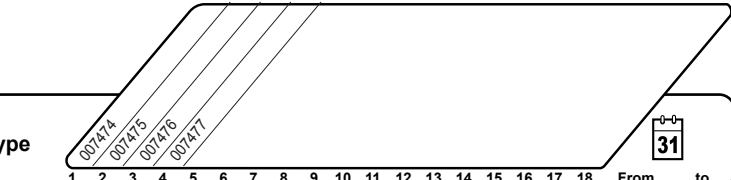

SGA EURO V-2

Storage Gas Water Heaters

1	007474	ARISTON SGA EURO 50V-2	07-2001	-
2	007475	ARISTON SGA EURO 80V-2	07-2001	-
3	007476	ARISTON SGA EURO 100V-2	07-2001	-
4	007477	ARISTON SGA EURO 120V-2	07-2001	-
Col	Reference	Model type	Begin	End



**101**  
**FITTING**  
**KIT**

☉⇒	Description	Manf. Pt. N	Type																				
				1	2	3	4	5	6	7	8	9	10	11	12	13	14	15	16	17	18	From	to
0001	FLUE HOOD (COMPLETE)	289731			•	•	•																
	FLUE HOOD (COMPLETE)	289742		•																			
0002	THERMAL PROTECTION	243048			•	•	•																
	THERMAL PROTECTION	243071		•																			
0003	SAFETY VALVE WITH LEVER (1/2" 8,5 BAR)	571730		•	•	•	•																
0005	ANODE PLUG	230514		•	•	•	•															04/16	
	ANODE PLUG FE G3/4-M5 H28 NE	65116257		•	•	•	•														05/16		
0006	SPRING (PROBE CLAMP)	290356		•	•	•	•																
0007	GAS GROUP	216960			•	•	•																
0008	PLASTIC COVER	289262		•	•	•	•																
0009	GAS VALVE CASING (EUROSIT)	220287		•	•	•	•																
0010	FLUE BAFFLE	290003		•																			
	FLUE BAFFLE	290923			•	•	•																
0011	FLUE BAFFLE EXTENSION	290800		•																			
	SPRING (FLUE BAFFLE SUPPORT)	290450				•	•																
0012	EXTENSION (FLUE BAFFLE - L=342MM)	290017					•																
	EXTENSION (FLUE BAFFLE)	290018				•	•																
0013	CIRCULAR THERMOMETER	65110642		•	•	•	•																
0014	ANODE D:21,3 L:275 M5-M8	61316488-01			•	•																04/16	
	ANODE D:21,3 L:380 M8	65117840			•	•															05/16		
	ANODE D:21,3 L:390 M5-M8	993312-01					•														05/16		
	ANODE D:21,3 L:430 M5-M8	61402252-01					•															04/16	
0016	THERMOSTAT (SAFETY)	243087		•	•	•	•																
0036	SHEATH	65101259		•	•	•	•														05/16		
0037	BAFFLE (1/2" H=82)	65113700		•	•	•	•																
0101	PIPE FITTINGS KIT	990073		•	•	•	•																
0301	BURNER (MAIN)	290649		•	•	•	•																
0302	MAIN BURNER JET	290768			•	•	•																
	MAIN BURNER JET	290758		•																			
0303	NUT M16X1 H=3	240151		•	•	•	•																
0304	BURNER (PILOT)	289292		•	•	•	•																
0305	BURNER JET (PILOT)	290744		•	•	•	•																
0306	THERMOCOUPLE	200157		•	•	•	•																
0308	PIPE (GAS VALVE/PILOT BURNER)	122480		•	•	•	•																
0309	SAFETY BLOCK	243005		•	•	•	•																
0310	GAS REGULATOR	990972		•	•	•	•																
0311	GAS VALVE WITH CAPACITY REGULATOR	107827		•	•	•	•																
0312	COVER (GAS VALVE KNOB)	220288		•	•	•	•																
0313	SUPPORT PLATE (GAS VALVE)	220286		•	•	•	•																
z																							

## LIST OF THE ABBREVIATIONS

HW .....	: Hot water.
CW .....	: Cold water.
C .....	: Ceramic resistance (normal heating).
Ca .....	: Ceramic resistance (accelerated heating)
TP .....	: Immersion heater.
1F .....	: With fittings.
2F .....	: Without fittings.
3F .....	: With fittings and another outlet connection.
AMI .....	: With mixing valve.
SMI .....	: Without mixing valve.
PUISS .....	: Power of th appliance.
PN .....	: Appliance with normal pression.
LP .....	: Appliance with low pression.
PV .....	: Appliance with variable power.
PF .....	: Appliance with fixed power.

## IDENTIFICATION PLATE

### SERIAL NUMBER

**6 Characters :**  
 Year of manufacture 03 09 08 Manufacturing day  
 Month of manufacture

**9 Characters :**  
 Year of manufacture M 12 10 0606 Sequential number  
 Month of manufacture

**14 Characters :**  
 SI-V-0B0 45 07 0001  
 Sequential number  
 Year of manufacture : 6 → 2004  
 Month of manufacture : → 25 → January 43 → July 7 → 2005  
 13 → February 29 → August 8 → 2006  
 32 → March 40 → September etc ...  
 35 → April 38 → October  
 39 → May 51 → November  
 45 → June 12 → December

**15 Characters :**  
 Year of manufacture 02 11 00001 007843 Code appareil  
 Month of manufacture Sequential number

**21 Characters :**  
 Product reference 3200050 XX 08115 0000001 Sequential number  
 Year (08) / Manufacturing day (115)

**22 Characters :**  
 Product reference 3200050 XX 070115 0000001 Sequential number  
 Year (07) / Month (01) / Manufacturing day (15)